



Hytera



TM

Technical Bulletins

Date: 1/15/2013	Model : MD78X	Bulletin Number: 011513-01
--------------------	---------------	----------------------------

Issue: Ignition Sense proper wiring

Subject: Improper wiring of ignition sense on rear accessory connector (DB26) of MD78X could result in PCB board damage.

Summary: Improper wiring of the ignition sense to the DB26 connector of the MD78X could result in catastrophic damage to the PCB main board of the MD78X radio. Damage incurred as the result of improper installation/wiring will void the warranty.

Action: When installing and/wiring the ignition sense line to the DB26 connector of the MD78X , verify that proper installation steps are followed as directed per the Service Manual "MD78X&MD78XG Hytera Service Manual R3.5". Any damage incurred as the result of improper installation/wiring to pin 26 may result in damage to the radio. Damages uncured as the result of improper installation/wiring will void the warranty. See figured 1 for proper pin (pin 26)

Supporting Documentations: "MD78X Hytera Service Manual R3.5"

Front side DB26





Hytera



TM

Technical Bulletins

Date: 011513

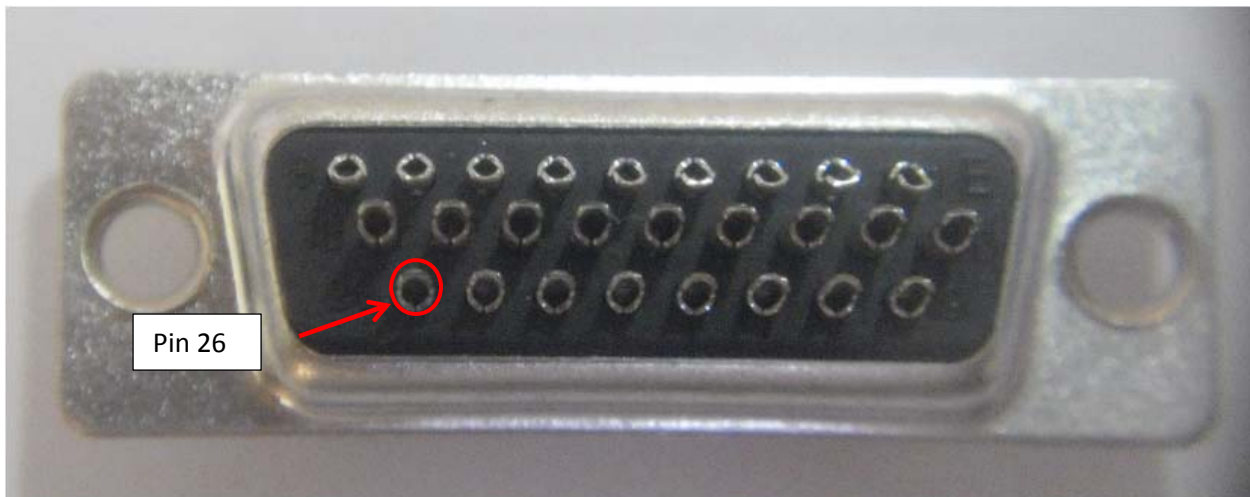
Model : MD78X

Bulletin Number: 011513-01

Issue: Ignition Sense Proper Wiring

Supporting Documentations:

Rear (Solder Side) of DB26

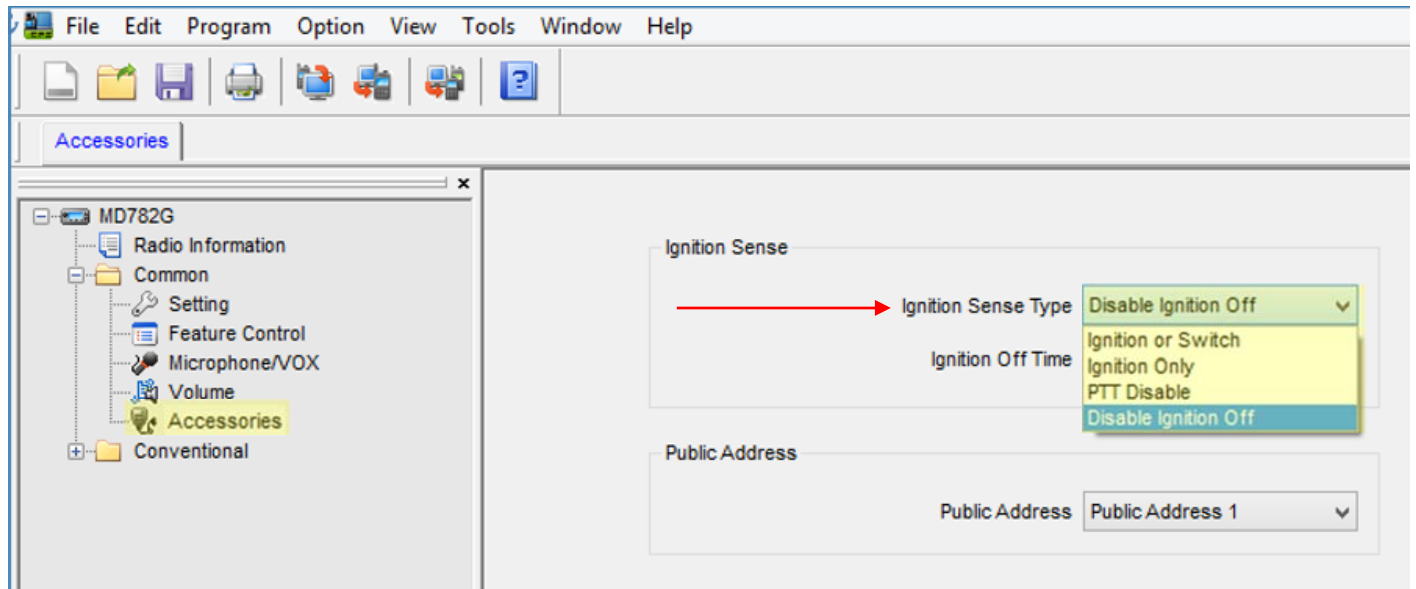


Service Manual:

MD78X&MD78XG Hytera Service Manual R3.5

WARNING: Please read Technical Bulletin Number: 011513-01 prior to installation. Improper wiring may result in fatal damage to radio rendering the radio non-repairable.

STEP 1: In CPS, select the “Ignition Sense Type” you want to operate.



Ignition Sense Type

This option allows users to select whether the radio will be turned On or Off using car's ignition sense or the Power On/Off key.

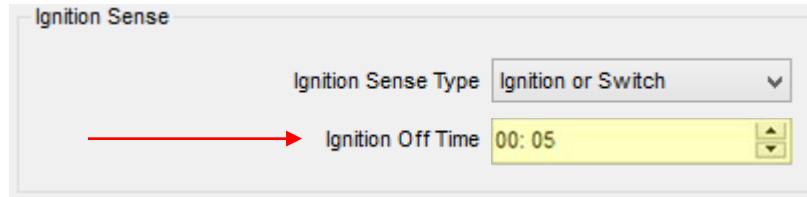
Option Description

- Ignition or Switch: The radio powers on or off by following either the Power On/Off key or ignition sense.
- Ignition Only: The radio powers on or off by following ignition sense on/off. The radio's Power On/Off key will be ignored.
- PTT Disable: Loss of ignition sense disables the radio's PTT key.
- Disable Ignition Off :The radio powers on by following the ignition sense or power button. The radio will power off only by power button.

Default

Disable Ignition Off

STEP 2: Select the “Ignition Off Time” desired.



Ignition Sense

Ignition Sense Type Ignition or Switch

Ignition Off Time 00:05

Ignition Off Time

This control allows the user to set the delay time that the radio will be turned off after loss of ignition sense. For example, if users set the time as 01:23, and vehicle's engine is switched off at 12:00, the radio will be turned off automatically at 13:23.

Range

00 - 23 hours and 00 - 59 minutes

Step

1h 1min

Default

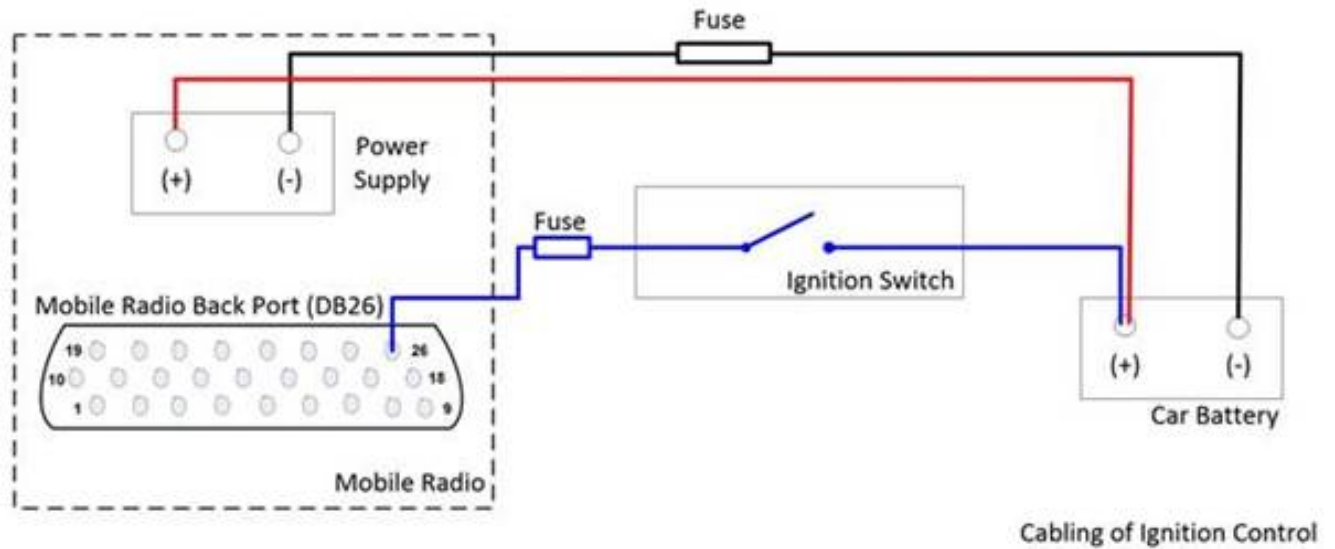
00:00

Note

This option can be configured only if the **Ignition Sense Type** option is Ignition, Switch or Ignition Only.

WIRING DIAGRAM FOR IGNITION SENSE CONTROL for MD-78X TERMINALS.

STEP 3: Wire MD-78X Terminal to vehicle as shown.



This completes the Ignition Sense Installation for the MD-78-X Terminals.